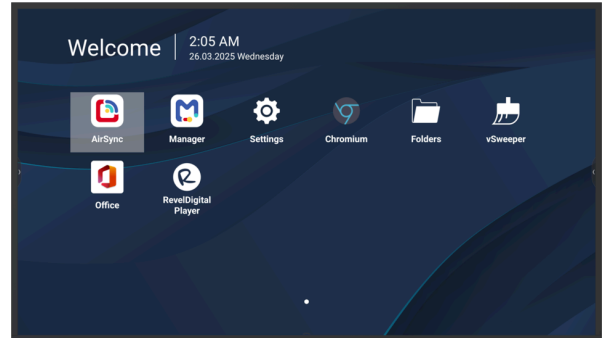


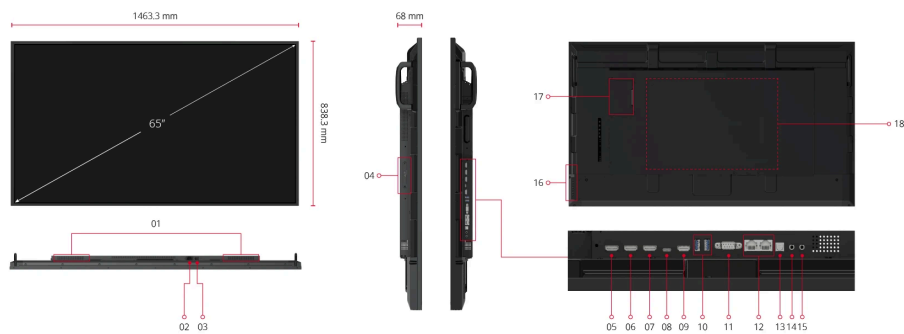
Key Features

- **Fast Warm Boot** eliminates long startup delays, launching signage and content in under 7 seconds.
- **Native 4K UHD in Any Orientation** delivers sharp, high-resolution visuals in landscape or portrait.
- **USB media playback & scheduling with automatic failover** ensures uninterrupted signage
- **Commercial-Grade Brightness & 24/7 Reliability** keep content clear and visible around the clock.
- **Centralized control** with Pro-AV integration and remote management via Web UI and ViewSonic Manager.



Product Description

The ViewSonic CDE31 Series is a turnkey, commercial-grade digital display that delivers impactful communication across corporate, retail, education, and healthcare environments. With native 4K Ultra HD resolution and reliable 24/7 operation, it delivers sharp, consistent visuals in both landscape and portrait orientations— ideal for digital signage and meeting spaces. Powered by Android 14 OS and a next-generation Quad-Core SoC with 8GB RAM, the CDE31 Series ensures smooth playback and responsive performance for continuous content delivery. The platform is upgradeable to Android 16, supporting ongoing security updates and long-term compatibility. For streamlined deployment and management, it offers seamless ProAV integration with leading control systems, dual 16W built-in speakers, 3.5 mm audio in/out. It also supports static IP configuration, a simplified web-based UI, and centralized remote control via ViewSonic Manager.



1. Speaker
2. AC IN
3. Power Switch
4. WiFi Slot
5. HDMI 1
6. HDMI 2
7. HDMI 3

8. USB Type-C
9. HDMI Out
10. USB2.0 x1, USB3.2 Gen x1
11. RS232
12. LAN
13. SPDIF
14. Audio In

15. Audio Out
16. Control Panel
17. OPS Slot
18. VESA® Wall Mount (600x400mm)



DISPLAY

Panel Size:	65"
Type/ Tech:	TFT LCD module with DLED backlight
Display Area (mm):	1428.48(H) x 803.52(V) 64.5" diagonal
Native Resolution:	3840x2160
Aspect Ratio:	16:9
Colors:	8bit+2bitFRC
Brightness:	500 nits
Contrast Ratio:	1200:1 (typ.) / 5000:1 (DCR enabled)
Response Time:	6.5ms
Viewing Angles:	H = 178, V = 178 typ.
Backlight Life:	50,000 Hours
Surface Treatment:	Anti-Glaire, 3H hardness, Haze 25%
Bezel:	15.9mm/15.9mm/15.9mm/15.9mm (L/R/T/B)
Orientation:	Landscape & Portrait

PLATFORM

Processor:	Quad-core ARM Cortex-A73
RAM:	8GB DDR4
Storage:	32GB

INPUT

HDMI:	x3 (HDMI 2.0*3, HDMI1 support ARC)
Audio:	3.5mm X 1
RS-232:	x 1
OPS Slot:	OPS slot x1
WiFi Slot:	WIFI slot x1

OUTPUT

HDMI:	x 1
Audio:	3.5mm x1 (Line out)
SPDIF:	x 1

LAN

RJ45:	x 2 (*1 LAN-in & *1 LAN-out) 10/100M for USB TypeC, 1000M for OPS
-------	--

USB

Type A:	x 2 (USB2.0 x1, USB3.2 Gen1 x1)
Type C:	x 1 (PD65W/15W with OPS + DP1.2 + Data USB2.0 + 10M/100M sharing)

SPEAKERS

16W x 2

COMPATIBILITY

HDMI:	3840X2160 @60Hz
-------	-----------------

EMBEDDED OS

Android 14 AOSP

BUNDLED SOFTWARE

Wireless Presentation:	AirSync
Device Management:	Manager

POWER

Voltage:	100-240 VAC +/- 10%
Consumption:	74.23W with Energy Star

ERGONOMICS

Wall Mount (VESA®):	600x400 mm
---------------------	------------

OPERATING CONDITIONS

Temperature (° C):	0 to 40°C
Humidity:	20%-80% RH

OPERATING HOURS

24/7

DIMENSIONS (W X H X D)

Physical (inch / mm):	57.61 x 31.75 x 2.68 in/ 1463.3 x 806.5 x 68 mm
Packaging (inch / mm):	64.09 x 37.09 x 7.28 in/ 1628 x 942 x 185 mm

WEIGHT

Net (lb / kg):	52.58lb / 23.85kg
Gross (lb / kg):	70.9lb / 32.16kg

REGULATIONS

cTUVus, FCC/ICES003, Energy star 8, EPEAT Gold, EEL,, EMC/CE Report, CB, EAC, UkrSEPRO, RCM, Green BOM, RoHS DoC, ErP-Eco, REACH DoC, SCIP, WEEE report, Annex I, Annex II, TPCH DoC, Packing waste, CA65 DoC

ENERGY STAR

ES8.0

EI RATING

F

PACKAGE CONTENTS

1. 3m power cord by ship area
2. Remote control
3. AAA battery x 2
4. Quick Start Guide
5. RS232 adapter
6. Clamp x 5
7. wall mount Screw x 4
8. HDMI cable 3m(HDMI LA certified)
9. Compliance statement