

Model name: PRO10

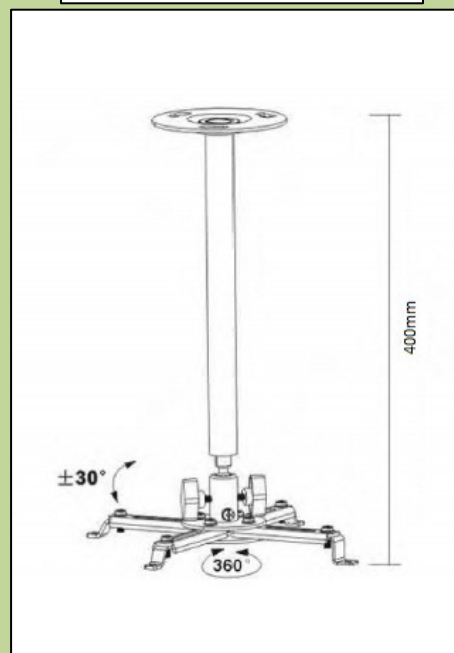
The PRO10 is a steel ceiling projector bracket mount with fixed pole length 400mm

General Information:

The SUNNE projector bracket mount PRO10 is a universal mounting ceiling projector bracket. Because of the universal pattern, this projector bracket mount is usable for almost every projector.

Specifications:

Ceiling to projector	400mm
MAX weight	10 kg
Material	Steel
Min VESA	-
Max VESA	-
Tilt	-30° - +30°
Swivel	360°
Color	Silver
EAN Code	-
Cable management	yes



Sunne GmbH
Lübecker Strasse 1
22087 Hamburg

Phone: +494030392494
FAX: +494030392429
email: info@sunne-av.com
www.sunne-av.com