

## Model name: PRO05L

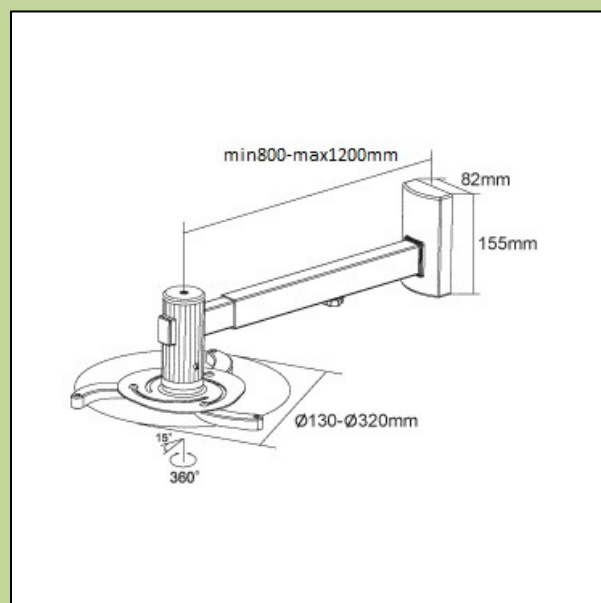
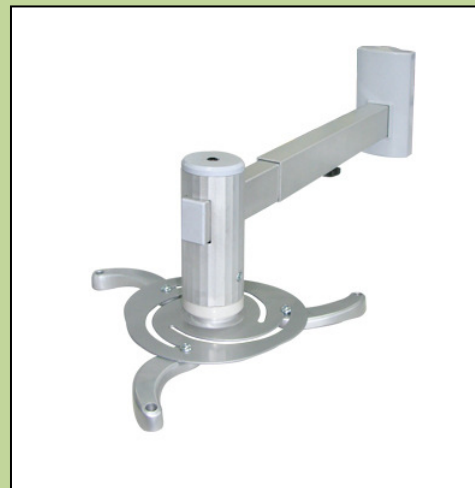
The PRO05L is a wall projector bracket mount.

### General Information:

The SUNNE projector bracket mount PRO05L is a universal mounting wall projector bracket. Because of the universal pattern, this projector bracket mount is usable for almost every projector.

### Specifications:

Wall to projector	800-1200mm
MAX weight	10 kg
Material	Aluminium
Min VESA	-
Max VESA	-
Tilt	-15° - +15°
Swivel	360°
Color	Silver
EAN Code	5099091008335
Cable management	yes



Sunne GmbH  
Lübecker Strasse 1  
22087 Hamburg

Phone: +494030392494  
FAX: +494030392429  
email: [info@sunne-av.com](mailto:info@sunne-av.com)  
[www.sunne-av.com](http://www.sunne-av.com)