

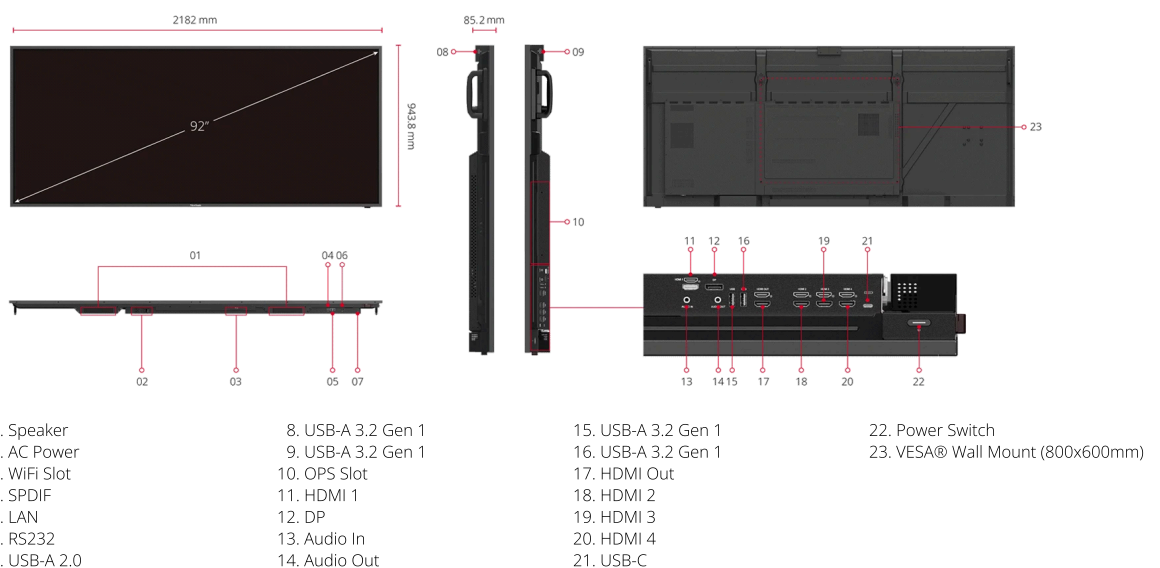
Key Features

- Ultrawide 92" display with 5K resolution for immersive, crystal-clear visuals
- Reliable commercial-grade display ensures smooth multimedia playback 24/7.
- 21:9 aspect ratio optimized for Microsoft Teams Rooms Front Row mode.
- Ultra-slim bezel for sleek, contemporary aesthetic
- Portrait layout capability for versatile and high-impact digital signage.



Product Description

The CDE92UW is an ultrawide 92" digital display delivering stunning image performance with 5K resolution. Designed for both corporate and commercial use, it features a 21:9 aspect ratio, providing 33% more screen real estate than a comparable 16:9 display, making it ideal for Microsoft Teams Rooms and Front Row Mode. Powered by an octa-core SoC running Android 13, the CDE92UW enables seamless multitasking with a USB-C port that delivers 100W and multiple wireless content sharing options. It also supports daisy chaining and comes pre-installed with ViewSonic Manager, a centralized platform that streamlines corporate communication and enhances operational efficiency.



Visit Us

www.viewsonic.com

DISPLAY

Panel Size:	92"
Type/ Tech:	TFT LCD Module with DLED Backlight, VA
Display Area (mm):	2141.952 (H) x 903.636 (V) (91.52" diagonal)
Native Resolution:	5120 x 2160
Aspect Ratio:	21:9
Colors:	1.07G colors (8bits+ 2bits FRC)
Brightness:	500 nits (Typ.)
Contrast Ratio:	OC spec 5000:1 (typ.)
Response Time:	<6.5ms
Viewing Angles:	H = 178, V = 178 (Typ.)
Backlight Life:	50,000 hrs (typ.)
Surface Treatment:	Anti-Glaire, 3H hardness, Haze 25%
Bezel:	18/18/18/18 mm (L/R/T/B)
Orientation:	Landscape & Portrait

PLATFORM

Processor:	RockChip RK3588 Octa-Core CPU (A76*4 + A55*4)
RAM:	DDR4 8GB
Storage:	128GB (eMMC)

INPUT

HDMI:	Rear x 4 (HDMI 2.1x 1, HDMI 2.0 x3)
DisplayPort:	1
Audio:	1
RS-232:	1
OPS Slot:	1 (OPS Slot 80pin)
WiFi Slot:	1 (Module Slot)

OUTPUT

HDMI:	1
Audio:	1
SPDIF:	1

LAN

RJ45:	1
-------	---

USB

Type A:	REAR x 1 (USB 2.0 support OTG) REAR x 2 (USB 3.2 Gen 1) TOP x 2 (USB 3.2 Gen 1) support smart USB
Type C:	REAR x1 (PD100W, DP1.2, USB2.0, 100M ethernet)

SPEAKERS

20W x 2+ 20W x 1 (Subwoofer)

COMPATIBILITY

HDMI:	HDMI 1: 5120x2160 @60Hz (YUV444), 5120x2160 @30Hz (YUV420) HDMI 2/3/4: 3840x2160 @60Hz
DisplayPort:	5120 x 2160

EMBEDDED OS

Android 13

POWER

Voltage:	100-240VAC +/- 10% Wide Range
Consumption:	Normal 320W, Max 800W

ERGONOMICS

Wall Mount (VESA@):	800 x 600
----------------------	-----------

OPERATING CONDITIONS

Temperature (° C):	0°C to 40°C
Humidity:	20% ~ 80% RH non-condensing

OPERATING HOURS

24/7

DIMENSIONS (W X H X D)

Physical (inch / mm):	85.91 x 37.16 x 3.35 in/ 2182 x 943.8 x 85.2 mm
Packaging (inch / mm):	92.52 x 44.72 x 8.5 in/ 2350 x 1136 x 216 mm

WEIGHT

Net (lb / kg):	93.7 lb/ 42.5 kg
Gross (lb / kg):	131.18 lb/ 59.5 kg

REGULATIONS

cTUVus, FCC/ICES003, CE/EMC, CB/LVD, EAC, UkrSEPRO, UKCA, UK-EEL, LBL, FF, ErP-EEL, WEEE, Green BOM, RoHS DoC, ErP-Eco, REACH, EPEAT

PACKAGE CONTENTS

1. 3m power cord by ship area
2. Type C cable 1.8m(USB-IF certified)
3. Remote control with AAA battery
4. Quick Start Guide
5. RS232 adapter
6. Clamp x 5
7. Camera Plate x 2(1 for VB-CAM-201, 1 for UMB202)
8. Screw x 8 (camera 2+2, wall mount 4)
9. HDMI cable 3m(HDMI LA certified)
10. AAA Battery x 2
11. Compliance statement

