

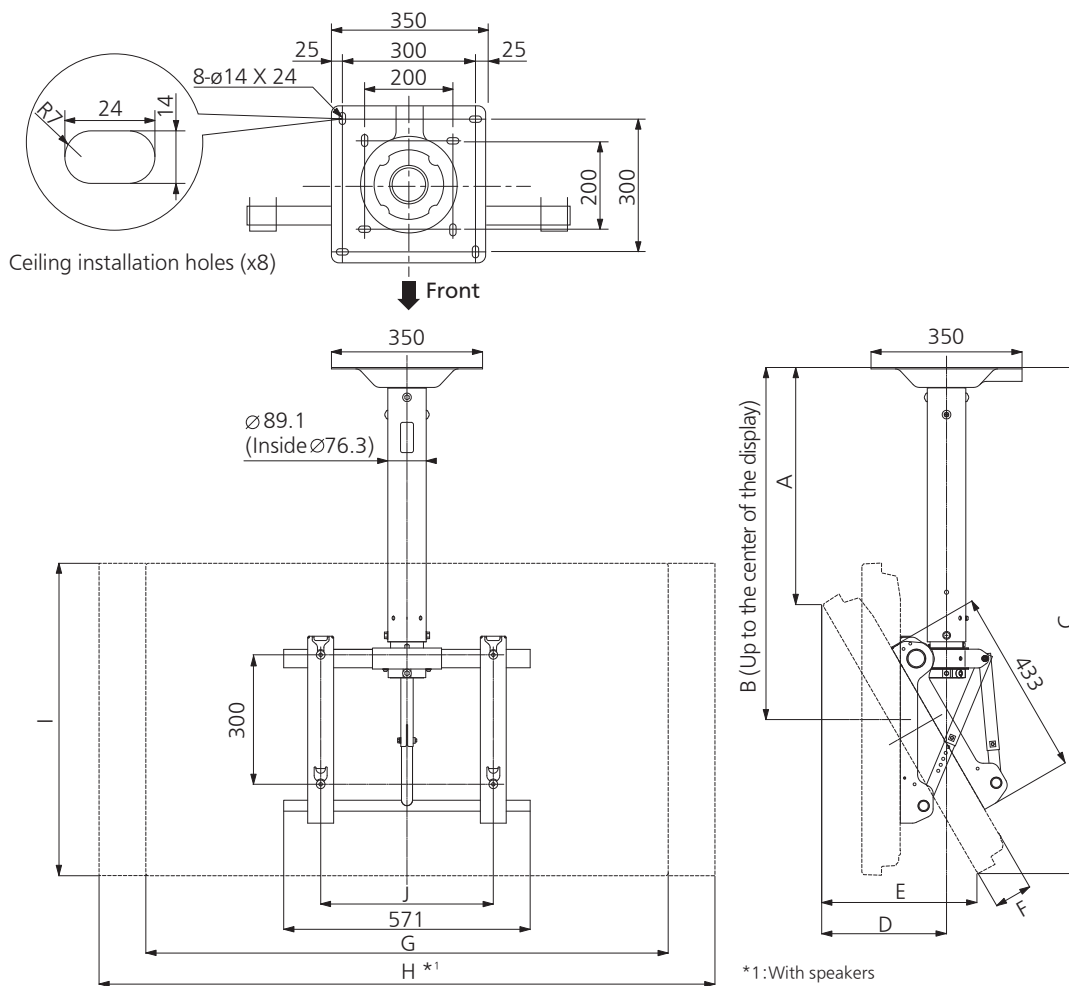
TY-CE42PS20

● Product specification (design and specification subject to change without notice)

Dimensions (WxHxD)	571 x 1057 x 350 mm
Weight	16 kg
Carton Dimensions (WxHxD)	1151 x 386 x 604 mm
Gross weight	26 kg
Accessories	<ul style="list-style-type: none"> - Bolt for fixing upper and lower sections M8×12 (2) - Screw for securing unit M5×35 (2) - Through bolt for fixing upper and lower sections M8×100 (1) - Spring washer M8 (1) - Washer pan nut M8 (1) - Allen head countersunk screw M8×32 (4) - Dished toothed washer (4) - Insulation spacer (4) - Ceiling cover (1) - Truss tapping screw (3) - Rotation stop screw M6×8 (1) - Spring washer M6 (1) - Allen wrench(included tool) (1) - Clamper (2)

● DIMENSIONS

Cautions: This drawing is not a scale
Units : mm



* Applicable for 20 series and future models.

Units : mm

	Angle adjustment	0°				15°				30°			
	Height adjustment	+0	+100	+200	+300	+0	+100	+200	+300	+0	+100	+200	+300
50"	A	457	557	657	757	497	597	697	797	549	649	749	849
	B	816	916	1016	1116	844	944	1044	1144	861	961	1061	1161
	C	1176	1276	1376	1476	1192	1292	1392	1492	1173	1273	1373	1473
	D	197				249				289			
	E	0				186				360			
	F	89											
	G	1210											
	H *1	1427											
	I	724											
	J	400											

	Angle adjustment	0°				15°				30°			
	Height adjustment	+0	+100	+200	+300	+0	+100	+200	+300	+0	+100	+200	+300
42"	A	514	614	714	814	552	652	752	852	599	699	799	899
	B	816	916	1016	1116	844	944	1044	1144	861	961	1061	1161
	C	1119	1219	1319	1419	1137	1237	1337	1437	1123	1223	1323	1423
	D	197				235				261			
	E	0				157				303			
	F	89											
	G	1020											
	H *1	1230											
	I	610											
	J	400											