

SCART Terminal Board

TY-FB8SC

Product summary

Enables connection of devices with SCART terminals, such as VCRs, color monitors or other video display equipments.

Product specification

(Design and specifications subject to change without notice)

Mass	Approx. 250 g	
Accessories	• Terminal function label (x1) • Terminal board replacement instructions	
Slot Number	2 slots model	Slot 1, Slot 2
	3 slots model	Slot 1, Slot 2 (Slot 3 is not compatible)

AV / Component / RGB / input signals

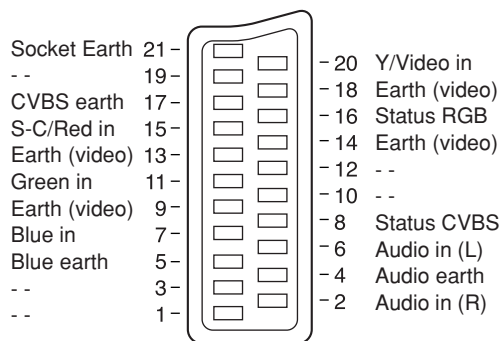
	Applicable Signals
CVBS input Colour Systems	PAL B,G,H,I NTSC M SECAM NTSC4.43 PAL M PAL N PAL60

Scart socket information

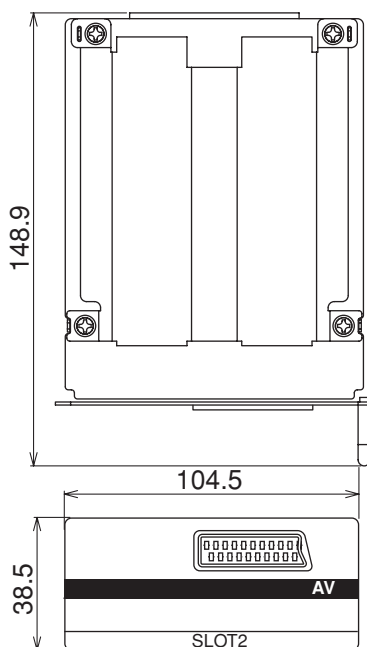
AV1 IN Scart socket [RGB,VIDEO, S VIDEO]

Suitable inputs for AV1 IN include RGB (Red / Green / Blue).

AV1 IN - Pins 15 and 20 are dependent on AV1 IN S-VHS / VIDEO switching.



Dimensions



Units : (mm)