

PSMU Security Mount

For Projectors up to 25 lb



- +20°/-5° tilt, ±10° roll and 360° swivel

- Key-lock security for theft deterrence

- Two-piece tray design prevents access to security fasteners

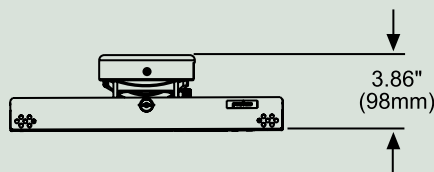
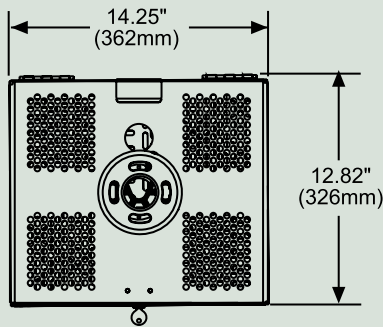


- Easy-access hinge design for quick projector removal, enabling lamp and filter maintenance

- Access hole for wire management

- Security fasteners included

* Includes theft resistant hardware for attaching projector to mount



MODELS

UNIVERSAL MODELS
Security Fasteners*

PSMU-PRS	Black
PSMU-PRS-S	Silver
PSMU-PRS-W	White

PROJECTOR ADAPTER

UNIVERSAL MODELS:

Universal tray pattern accommodates most projectors

SPECIFICATIONS

DIMENSIONS: (W x H x D)
14.25" x 3.86" x 12.82"
(36.2 x 9.8 x 32.6 cm)

TILT: +20/-5°

SWIVEL: 360°

ROLL: ±10°

MAX LOAD: 25 lb (11.3 kg)

SHIP WEIGHT: 11.5 lb (5.2 kg)

MOUNTING SURFACES: Wood joist, concrete and other structures (*Other structures require accessory*)



ACCESSORIES

pg#

ACC, CMJ Models: Ceiling Plates 146-148

ADJ, EXT Models: Extension Columns 148

ACC810: Threaded Rod Adapter 149

PWA-14(S)(W): Projector Wall Arm 150