



**MODELS**

**UNIVERSAL MODELS:**

Security Fasteners\*  
**SF680** Black  
**SF680-S** Silver

Standard Fasteners\*\*  
**SF680P** Black  
**SF680P-S** Silver

**SCREEN ADAPTER**

**UNIVERSAL MODELS:**

Includes universal screen adapter to accommodate mounting holes spaced up to 43.75" horizontally and 29.31" vertically

**SPECIFICATIONS**

**DIMENSIONS:** (W x H x D)  
 45.75" x 30.25" x 1.83"  
 (116.2 x 76.8 x 4.6 cm)

**MAX LOAD:** 350 lb (158.8 kg)

**SHIP WEIGHT:** 16.5 lb (7.48 kg)

**MOUNTING SURFACES:** Wood stud, concrete, cinder block and metal stud  
*(Metal stud accessory required)*



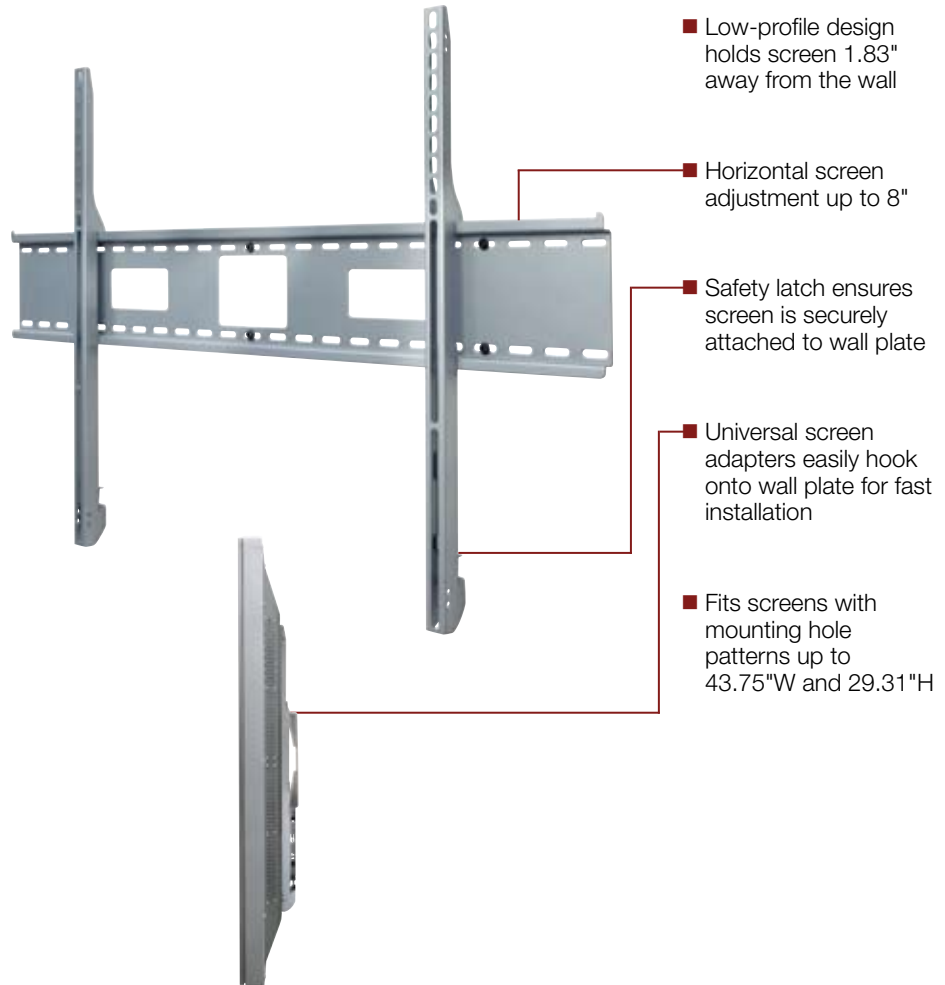
**ACCESSORIES**

pg#

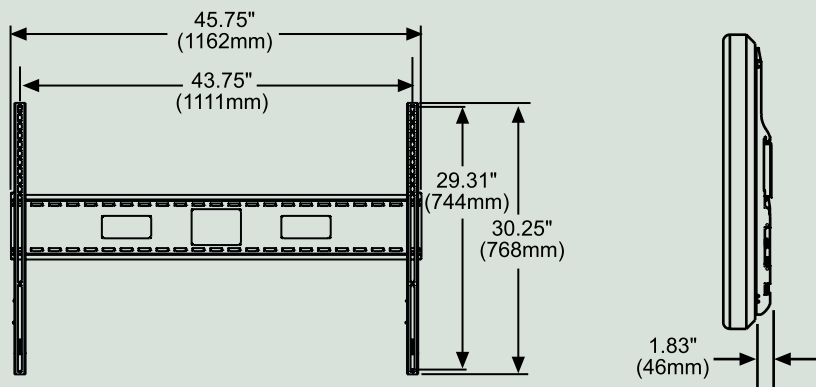
ACC615: 6-pack Metal Stud Fastener Kit .....151

## SmartMount® Universal Flat Wall Mount

For 61" to 102" LCD and Plasma Screens



\* Includes theft resistant hardware for attaching screen to mount  
 \*\* Includes standard hardware (hex or Phillips) for attaching screen to mount



To verify mount compatibility with any LCD, plasma, or projector model use MountFinder™ at [www.peerlessmounts.com](http://www.peerlessmounts.com) 800.865.2112