

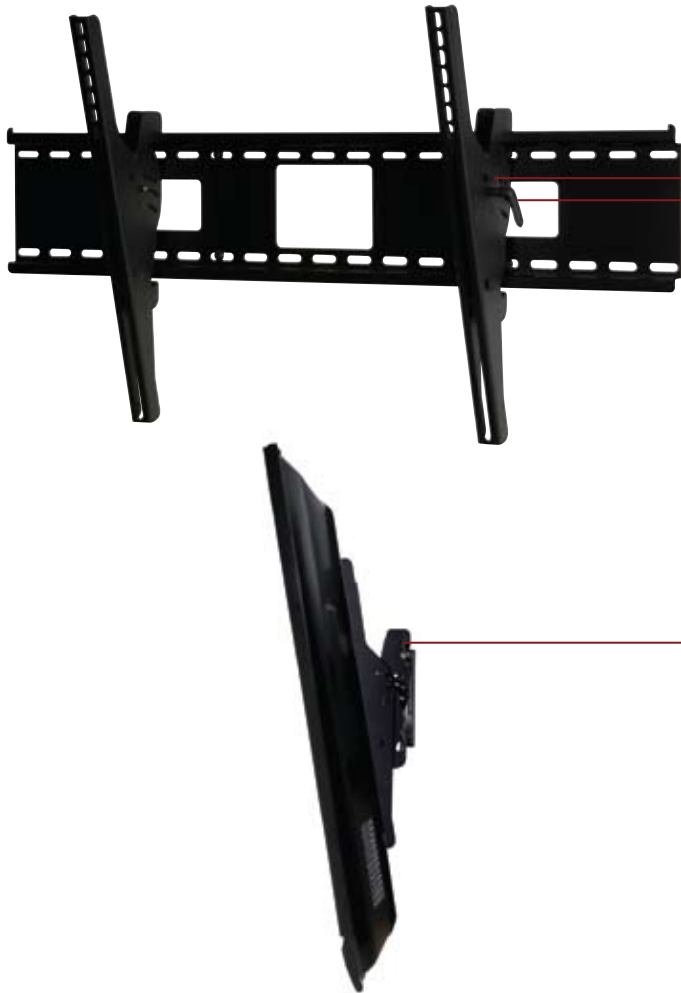
Flat Panel

Tilt Wall Mounts

SmartMount®

Universal Tilt Wall Mount

For 42" to 71" LCD and Plasma Screens



■ Pre-tensioned universal tilt bracket allows for +15/-5° tilt adjustment in one easy motion

■ Optional tilt lock in 5° increments

■ Easy-grip ratcheting handle locks angle into place

■ Horizontal screen adjustment up to 8"

■ Universal screen adapters easily hook onto the wall plate for fast installation

■ Fits screens with mounting patterns of 36.04" x 19.79"

* Includes theft resistant hardware for attaching screen to mount
 ** Includes standard hardware (hex or Phillips) for attaching screen to mount

MODELS

UNIVERSAL MODELS:

Security Fasteners*

ST670
ST670-S

Black
 Silver

Standard Fasteners**

ST670P
ST670P-S

Black
 Silver

SCREEN ADAPTER

UNIVERSAL MODELS:

Includes universal screen adapter to accommodate mounting holes spaced up to 36.04" horizontally and 19.79" vertically

SPECIFICATIONS

DIMENSIONS: (W x H x D)
 37.75" x 20.62" x 3"
 (95.9 x 52.4 x 7.6 cm)

TILT: +15/-5°

MAX LOAD: 250 lb (113.4 kg)

SHIP WEIGHT: 15.4 lb (6.98 kg)

MOUNTING SURFACES: Wood stud, concrete,

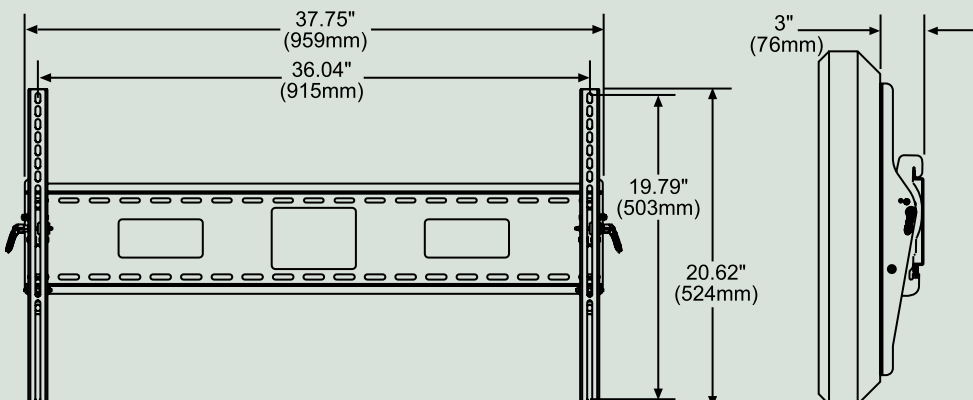
cinder block and metal stud
(Metal stud accessory required)



ACCESSORIES

pg#

ACC615: 6-pack Metal Stud Fastener Kit ...151



To verify mount compatibility with any LCD, plasma, or projector model use MountFinder™ at www.peerlessmounts.com 800.865.2112