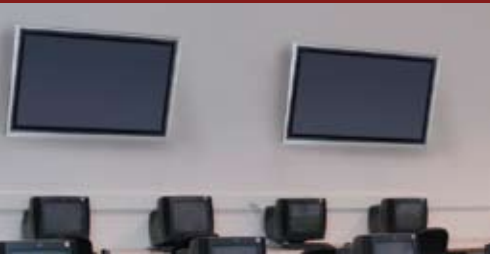


## SmartMount® Universal Tilt Wall Mount

For 37" to 60" LCD and Plasma Screens



### MODELS

#### UNIVERSAL MODELS:

Security Fasteners\*

**ST660** Black  
**ST660-S** Silver

Standard Fasteners\*\*

**ST660P** Black  
**ST660P-S** Silver

### SCREEN ADAPTER

#### UNIVERSAL MODELS:

Includes universal screen adapter to accommodate mounting holes spaced up to 32.75" horizontally and 17.67" vertically

### SPECIFICATIONS

**DIMENSIONS:** (W x H x D)  
34.1" x 18.5" x 2.6"  
(86.6 x 46.9 x 6.6 cm)

**TILT:** +15/-5°

**MAX LOAD:** 200 lb (90.7 kg)

**SHIP WEIGHT:** 10.9 lb (4.94 kg)

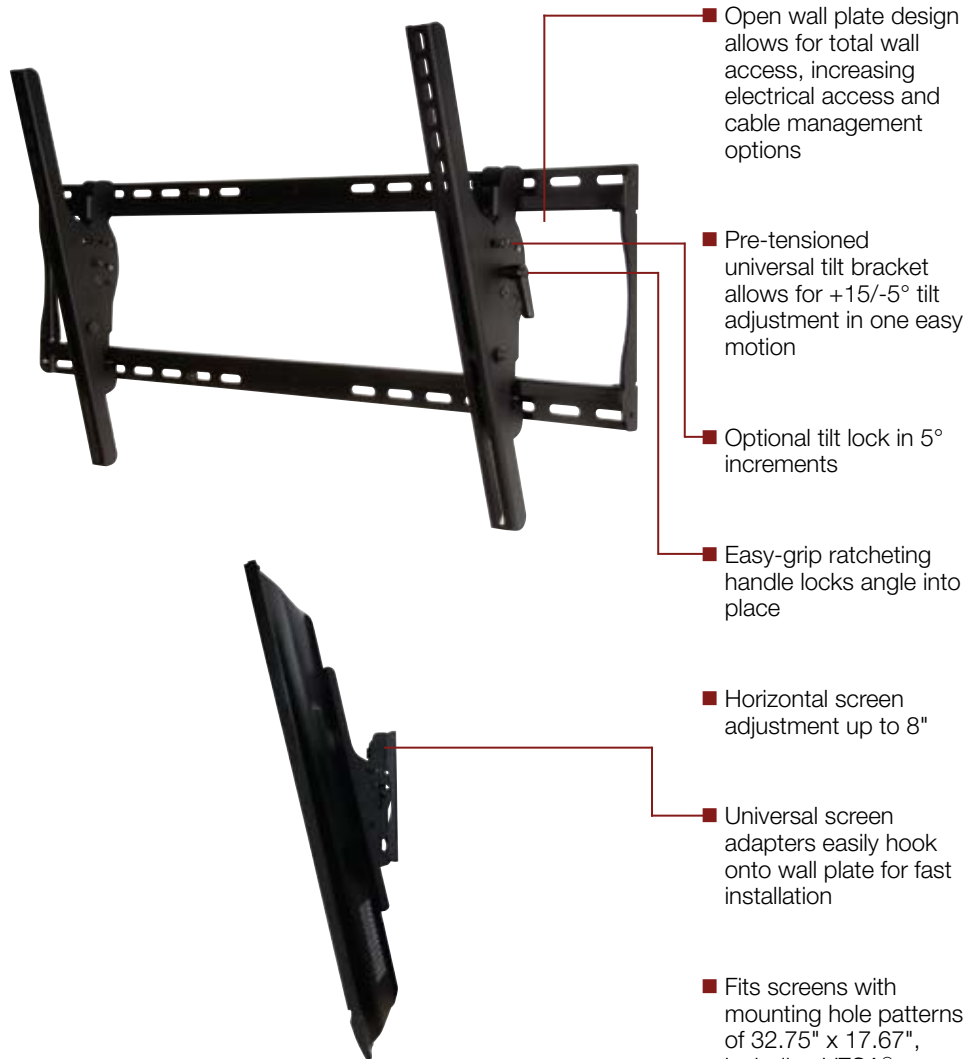
**MOUNTING SURFACES:** Wood stud, concrete, cinder block and metal stud  
(Metal stud accessory required)



### ACCESSORIES

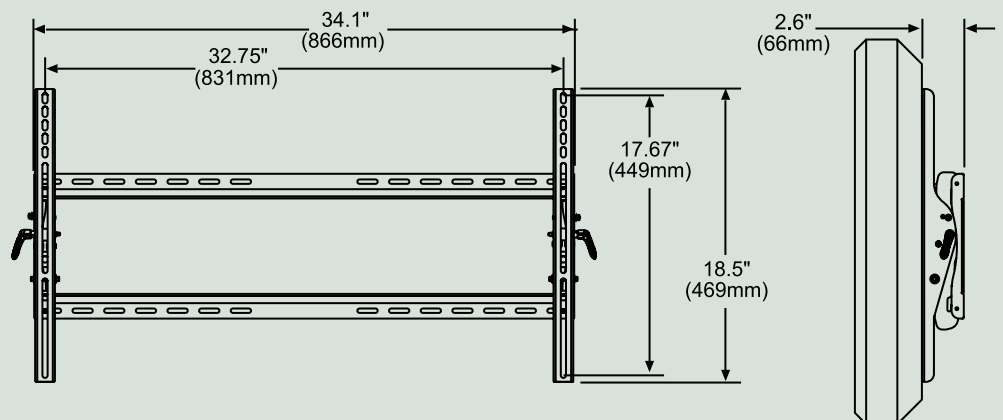
pg#

ACC415: 4-pack Metal Stud Fastener Kit ....151



- Open wall plate design allows for total wall access, increasing electrical access and cable management options
- Pre-tensioned universal tilt bracket allows for +15/-5° tilt adjustment in one easy motion
- Optional tilt lock in 5° increments
- Easy-grip ratcheting handle locks angle into place
- Horizontal screen adjustment up to 8"
- Universal screen adapters easily hook onto wall plate for fast installation
- Fits screens with mounting hole patterns of 32.75" x 17.67", including VESA® 800 x 400 mm

\* Includes theft resistant hardware for attaching screen to mount  
\*\* Includes standard hardware (hex or Phillips) for attaching screen to mount



To verify mount compatibility with any LCD, plasma, or projector model use MountFinder™ at [www.peerlessmounts.com](http://www.peerlessmounts.com) 800.865.2112