

Flat Panel

Tilt Wall Mounts

SmartMount®

Universal Tilt Wall Mount

For 23" to 46" LCD Screens



■ Open wall plate design allows for total wall access, increasing electrical and cable management options

■ Optional tilt lock in 5° increments

■ Easy-grip ratcheting handle locks angle into place

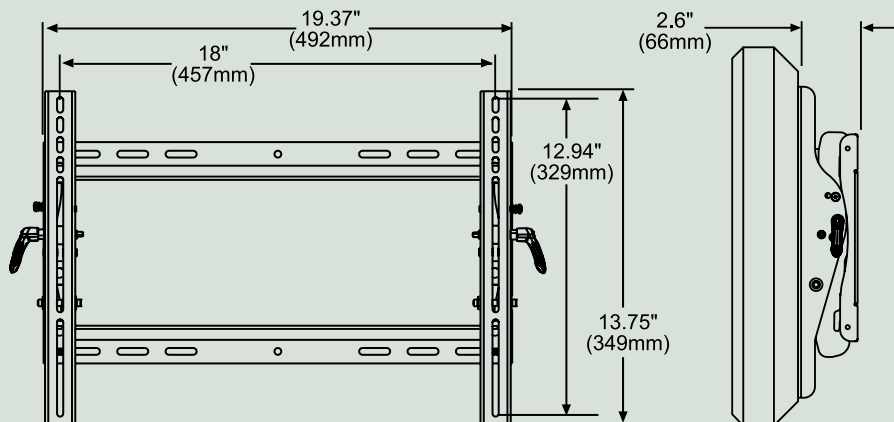
■ Pre-tensioned universal tilt brackets allow for +15/-5 tilt adjustment in one motion

■ Horizontal screen adjustment up to 6"

■ Universal screen adapters easily hook onto wall plate for fast installation

■ Fits screens with mounting patterns: 18"W x 12.94"H

* Includes theft resistant hardware for attaching screen to mount
 ** Includes standard hardware (hex or Phillips) for attaching screen to mount



To verify mount compatibility with any LCD, plasma, or projector model use MountFinder™ at www.peerlessmounts.com 800.865.2112



MODELS

UNIVERSAL MODELS:

Security Fasteners*
ST640 Black
ST640-S Silver

Standard Fasteners**
ST640P Black
ST640P-S Silver

SCREEN ADAPTER

UNIVERSAL MODELS:

Includes universal screen adapter to accommodate mounting holes spaced up to 18" horizontally and 12.94" vertically

Many 42" plasmas have mounting hole patterns larger than dimensions above. Use MountFinder™ to verify mount compatibility.

SPECIFICATIONS

DIMENSIONS: (W x H x D)
 19.37" x 13.75" x 2.6"
 (49.2 x 34.9 x 6.6 cm)

TILT: +15/-5°

MAX LOAD: 150 lb (68 kg)

SHIP WEIGHT: 8.5 lb (3.85 kg)

MOUNTING SURFACES: Wood stud, concrete, cinder block and metal stud
 (Metal stud accessory required)



ACCESSORIES

pg#

ACC415: 4-pack Metal Stud Fastener Kit151