



## MODELS

### UNIVERSAL MODELS:

Security Fasteners\*

**SF640** Black  
**SF640-S** Silver

Standard Fasteners\*\*

**SF640P** Black  
**SF640P-S** Silver

## SCREEN ADAPTER

### UNIVERSAL MODELS:

Includes universal screen adapter to accommodate mounting holes spaced up to 17.73" horizontally and 12.94" vertically

Many 42" plasmas have mounting hole patterns larger than dimensions above. Use MountFinder™ to verify mount compatibility.

## SPECIFICATIONS

**DIMENSIONS:** (W x H x D)  
19.37" x 13.75" x 1.2"  
(49.9 x 34.9 x 3.0 cm)

**MAX LOAD:** 150 lb (68 kg)

**SHIP WEIGHT:** 5.7 lb (2.58 kg)

**MOUNTING SURFACES:** Wood stud, concrete, cinder block and metal stud  
(Metal stud accessory required)



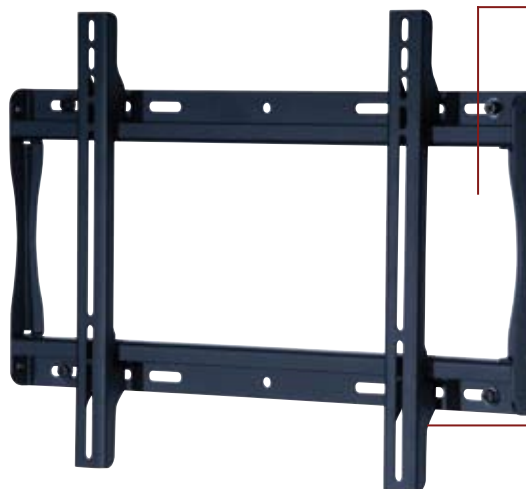
## ACCESSORIES

pg#

ACC415: 4-pack Metal Stud Fastener Kit ....151

## SmartMount® Universal Flat Wall Mount

For 23" to 46" LCD Screens



■ Open wall plate design allows for total wall access, increasing electrical and cable management options

■ Low-profile design holds screen only 1.2" from the wall

■ Easy-glide bracket design ensures screen is securely attached to wall plate

■ Horizontal screen adjustment up to 6" for centering screen on wall



■ Universal screen adapters easily hook onto wall plate for fast installation

■ Fits screens with mounting hole patterns up to 17.73"W and 12.94"H

\* Includes theft resistant hardware for attaching screen to mount

\*\* Includes standard hardware (hex or Phillips) for attaching screen to mount

